



Indiegs^{2K}

global shutter - 2k
120p / HD-SDI / 12 bit RAW / YUV 4:2:2

“The distinct aesthetic of the Indiecam is all over the film!”

Anthony Dod Mantle on the indieGS2K shooting Ron Howard’s “RUSH”



The indieGS2K is the first miniature CMOS camera with a global shutter on the market.

Its modular design and a selection of durable and compact accessories makes it the perfect tool for every shot that demands the highest possible image quality, minimal weight and tight dimensions. In addition to this, the indieGS2K enables you to shoot the roughest action footage free from rolling shutter issues.

The camera measures only 40 x 40 x 100 mm, weights just 170g and operates stand-alone without the need of a control-box. It incorporates a high-grade 2/3 inch CMOS imager and delivers up to 60 frames of 2k footage in 10 bit uncompressed and 12 bit RAW. The highest image quality is obtained by using our unique InstantRAW workflow that delivers 12 bit CinemaDNG files.

This unique feature set and the fact that the indieGS2K integrates smoothly into almost any post-production workflow makes it a versatile tool for feature film, high-end broadcast production and live coverage.

The camera has a C-mount with adjustable back-focus that allows you to choose from the wide range of high-resolution lenses. Adaptors for PL- and B4-mount are also available.

Since it offers Genlock Sync output and input through a second BNC connector, the indieGS2K is especially well suited for 3D and other multi-camera applications. An array of cameras can easily be daisy-chained and simultaneously configured via one single remote connection.

HIGHLIGHTS

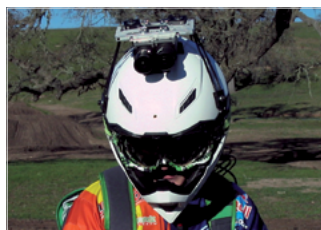
- » One of a kind global shutter 2/3 inch CMOS camera
- » Superb 2k image quality and wide dynamic range
- » 12 bit colour depth to take your images to the big screen
- » Extremely lightweight and compact form factor
- » Minimum inter-axial distance of only 40 mm for 3D usage
- » C-mount with PL-mount and B4-mount option



ACTION & SPORTS

[reliable all-rounder]

Stick to where the action happens - full speed without rolling shutter issues.



POINT OF VIEW

[heavy duty companion]

Let the world see through your eyes even when it gets rough - a shock proof companion that never lets you down.



3D STEREO

[tight body contact]

Liberate your vision and take a glimpse into another dimension without the boundaries of a mirror-rig.



AERIAL

[ultra light solution]

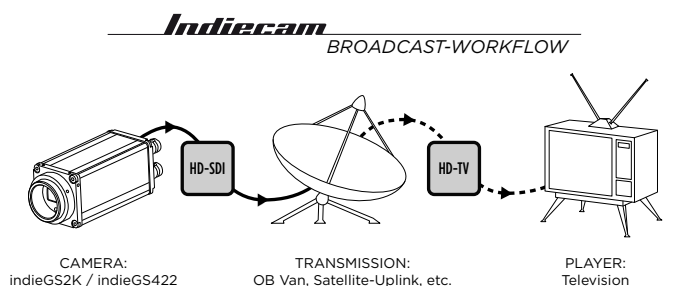
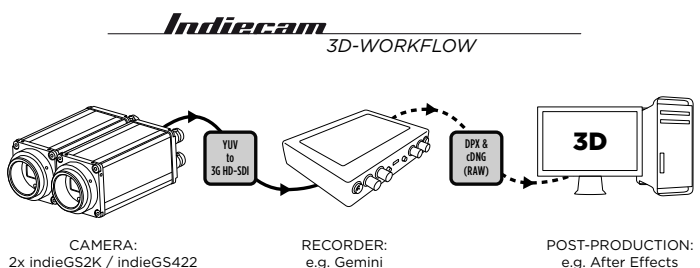
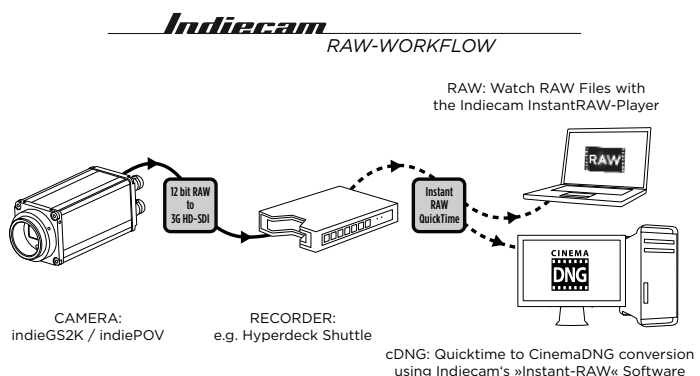
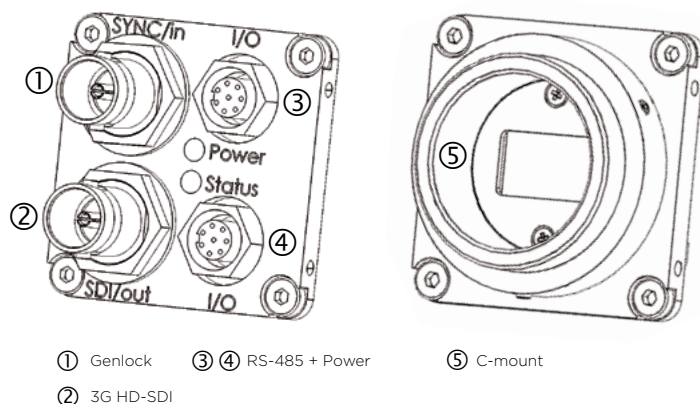
Keep the overview: the feather-light upgrade for any manned or unmanned aerial vehicle, a pocket-sized super constellation.



Indiegs ^{2K}

global shutter - 2k
120p / HD-SDI / 12 bit RAW / YUV 4:2:2

SENSOR	Size	CMOS, 2/3"
	Resolution	2048 x 1080
	Shutter	Global
	Pixel Size	5.5 µm
	Readout	Progressive & Interlaced
	Sensitivity	400 ASA
GENLOCK	Tri-level Sync	Master/Slave switchable
MOUNT	C-mount	with backfocus adjustment, lockable
	PL-mount	optional
MODES	RAW 12 bit	1080p24 / 1080p25 / 1080p30 / 1080p50 / 1080p60 1080p23.98 / 1080p29.97 / 1080p59.94 720p50 / 720p59.94 / 720p60
	RAW 10 bit	2kp24, 2kp25, 2kp30, 2kp50, 2kp60, 1080p100, 1080p120
	YUV 4:2:2 10 bit	1080p24 / 1080p25 / 1080p30 / 1080p50 / 1080p60 1080p23.98 / 1080p29.97 / 1080p59.94 1080i50 / 1080i59.94 / 1080i60 720p50 / 720p60
INTERFACES	3G HD-SDI	BNC
	Genlock	BNC, switchable In/Out
	2x I/O	Power + RS-485
	2x Status LED	Amber/Green
IMAGE	Gamma	Standard & Custom LUTs
	White Balance	Auto/Manual
	Colour Space YUV	REC 709
	Colour Space RAW	RGB 4:4:4
	Presets	User Preset can be saved, Restore Factory Defaults
POWER	Voltage	7 - 24 V DC
	Consumption	4 W
DIMENSIONS	Size w/o lens	39.8 x 39.8 x 100 mm
	Weight w/o lens	approx. 170 g
ENVIRONMENTAL	Operation	0 - 55 °C, 10 - 90 % RH
	Storage	-20 - +70 °C, 10 - 90 % RH
	Protection Class	IP40, CE



HEADQUARTER
[Vienna, Austria]
Indiecam GmbH
1070 Vienna, Seidengasse 26/4-5
info@indiecam.com
www.indiecam.com
P +43 1 522 70 47

Your Distributor:

INTERESTED?
[Excellent Service Worldwide]
Feel free to contact us any time and check our webpage frequently for updates
www.indiecam.com